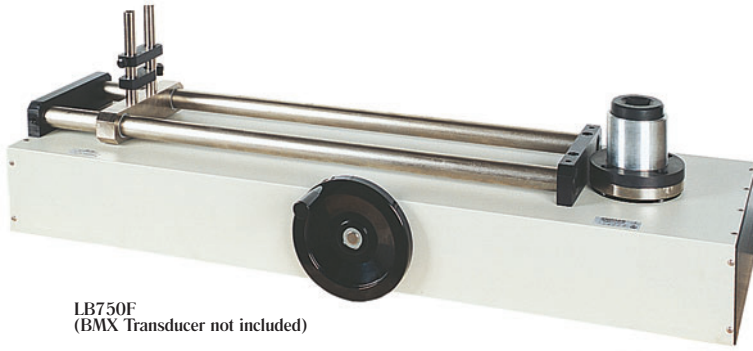


# Loading Bench

Calibrating Wrenches



**LB750F**  
(BMX Transducer not included)

## KEY FEATURES

A calibration system designed to enable accurate calibration of torque wrenches.

The laboratory grade instrument assures accurate torque calibration and pre-setting, independent of human influence or transducer side and end load factors.

The drive system assures the load application, eliminating the operator induced test error.

Built for durable use, the Loading Bench reduces the operator effort required to attain and sustain torque during the calibration process.

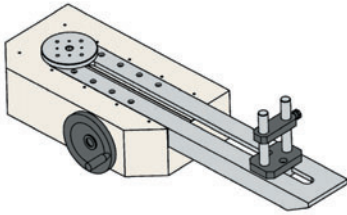
Large wheel for smooth manual loading.

Operates in both clockwise and counterclockwise directions.

Models that range from 0 - 2000 lbf.ft

Use with a Mountz BMX transducer and torque analyzer.

Mountable for bench or a cabinet.



## LB250F

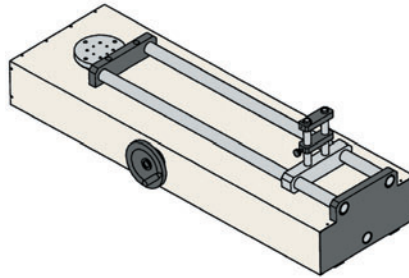
Torque Range: Max. 250 lbf.ft (3000 lbf.in).

Reaction Position:  
Horizontally: 4" to 28" from the center of the turn-table.  
Vertically: 1" to 4" from the turn-table base.

Weight: 53 lbs.

Size: 37.5" W x 12" H x 10.75" D

Item #063302



## LB750F

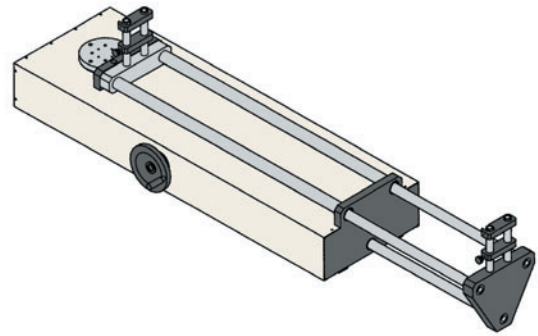
Torque Range: Max. 750 lbf.ft (9000 lbf.in).

Reaction Position:  
Horizontally: 4.87" to 41.25" from the center of the turn-table.  
Vertically: 1.87" to 5.4" from the turn-table base.

Weight: 130 lbs.

Size: 50" W x 15" H x 15.5" D

Item #063301



## LB2000F

Torque Range: Max. 2000 lbf.ft (24000 lbf.in).

Reaction Position:  
Horizontally: 4.87" to 75.5" from the center of the turn-table.  
Vertically: 1.87" to 5.4" from the turn-table base.

Weight: 160 lbs.

Size: 84.75" W x 15" H x 15.5" D

Item #063300



## NOTE!

It is recommended that the Loading Bench be fastened to a bench top.



## WIZARD PLUS TORQUE ANALYZER

The easy to use torque analyzer is ideal for SPC testing & ISO 6789 testing. It features the ability to produce Certificates to ISO 6789:2003.

SEE PAGE 01.5



## BMX TRANSDUCER

For calibrating manual or power tools or special applications. A wide torque range selection, from 2 ozf.in to 20,000 lbf.ft.

SEE PAGE 01.11